

# Series 5200

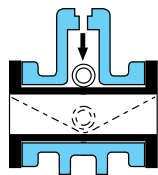
- ▶ High cycle life, repeatable control
- ▶ Sleeve is the only component in contact with the media, eliminating the need for expensive bodies
- ▶ Versatile choice of sleeve trim to meet exact flow requirements
- ▶ External stroke adjustment
- ▶ Bi-directional, drop-tight shutoff



6

## Materials of Construction

- ▶ Ductile iron body
- ▶ ATO/ATC, ATO/Fail Close and ATC/Fail Open actuators
- ▶ Sleeves available in Pure Gum Rubber, Neoprene, Hypalon®, Chlorobutyl, Buna-N, EPDM and Viton®
- ▶ Drilled and tapped to mate with ANSI B16.5 Class 150 flanges

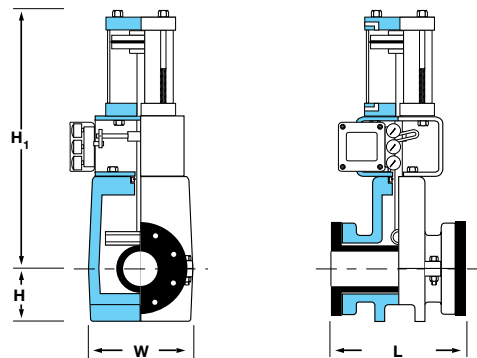


Closing Action

The Red Valve Series 5200 Control Valve design offers maximum durability with precise control and virtually eliminates maintenance. The Series 5200 is available in sizes up to four inches. A heavy-duty, rugged pinch mechanism positions the sleeve for accurate flow control. The valve has no packing to maintain or seats to wear, eliminating fugitive emissions and the need for expensive body alloys.

The standard Series 5200 Control Pinch Valve is designed with a stroke adjustment that is located inside the valve yoke. The stroke adjustment allows customers to easily make small control changes in the field and simplifies actuator maintenance by creating a removal point in the valve stem. Particularly in slurry applications, the stroke adjustment allows for fine-tuned flow control as the sleeve wears.

Cone sleeves can be specified to further enhance control performance and match the exact  $C_v$  level desired. True feedback positioning is accomplished through the direct linkage of the positioner to the valve stem shaft. There is no splitting of the positioner output. The benefits of true feedback positioning on Red Valve's Series 5200 valves are accurate small-change response signals to the positioner, causing similar changes in true valve position, greatly enhancing control accuracy.



## Dimensions Series 5200 Control Valve

VALVE SIZE	LENGTH L	WIDTH W	HEIGHT		WORKING PRESSURE psi**	WEIGHT ATO/ATC lbs*
			H	ATO/ATC H <sub>1</sub> *		
1"	7-1/4"	6"	2-7/16"	19"	150	50
1-1/2"	8-3/4"	8"	2-3/4"	19"	150	95
2"	10"	8"	3-1/2"	22"	150	125
2-1/2"	10-7/8"	9"	4"	24"	150	150
3"	11-3/4"	11-1/2"	4-1/4"	26"	150	185
4"	13-7/8"	13-1/2"	6-5/8"	29"	150	225

\*Consult factory for specific heights and weights of Fail-Close or Fail-Open valves.

\*\*Higher working pressures available.