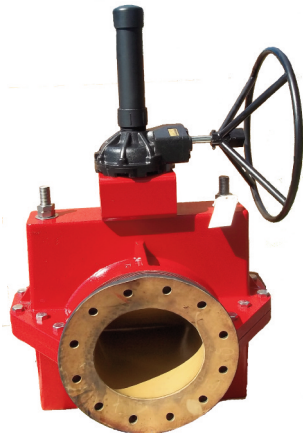


Series 52H

Large Diameter Manual Pinch Valve



- ▶ Accurate, repeatable linear flow control
- ▶ Sleeve is the only component in contact with the media, eliminating the need for expensive alloy bodies
- ▶ Sleeve trim options match flow needs
- ▶ External stroke adjustment
- ▶ Bi-directional, drop-tight shutoff



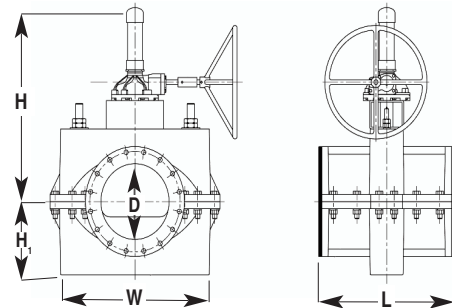
The Series 52H Large Diameter Manual Pinch Valve offers maximum durability with repeatable control. A heavy-duty pinch mechanism positions the elastomer sleeve for accurate control over a wide flow range. The valve has no packing to maintain or seats to wear, virtually eliminating maintenance.

A manual bevel gear closes the sleeve by activating a pinch bar from the top. The stroke length of the valve is reduced by pre-pinching the sleeve into a D-shaped port. The D-Port provides immediate flow control with no loss of flow capacity.

The Series 52H Large Diameter Manual Pinch Valve can be furnished with a Standard, Double-Wall or Cone Sleeve design. The rugged elastomer sleeve eliminates the need for expensive alloy bodies and is self-cleaning.

Materials of Construction

- ▶ Ductile iron body
- ▶ Sleeves available in Pure Gum Rubber, Neoprene, Hypalon®, Chlorobutyl, Buna-N, EPDM and Viton®
- ▶ Heavy-duty Carbon Steel Bevel Gear Operator
- ▶ ANSI B16.5 Class 150 flanges



Dimensions Series 52H

Valve Size D*	Length L	Width W	Height		Working Pressure (psi)**	Valve Weight lbs*
			H	H ₁ *		
14"	28"	37"	38"	14-3/8"	75	1,200
16"	32"	40"	41"	15-1/2"	50	1,600
18"	36"	47-1/2"	46-3/16"	17"	50	2,000
20"	40"	49"	52-3/16"	20-1/2"	50	2,450
24"	48"	51"	56"	21-3/4"	50	4,250
30"	60"	69"	73"	27"	50	8,300
36"	72"	76-11/16"	82-1/4"	32"	45	14,300
42"	84"	100-15/16"	96"	36-7/8"	45	-
48"	96"	102-7/8"	109-3/4"	41-11/16"	45	-
54"						
60"						
66"						
72"						
CONSULT FACTORY						

*Consult factory for specific heights and weights of Fail-Close or Fail-Open valves.
 **Higher working pressures available.

