

# Series 5700

## Centerline Closure Control Pinch Valve



- ▶ Heavy-duty valve design, actuator closes on centerline
- ▶ No packing to maintain, ever
- ▶ Accurate, repeatable control
- ▶ Ideal for corrosive and abrasive slurries
- ▶ True feedback positioning



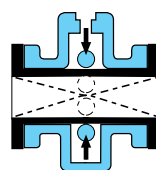
Red Valve's Series 5700 Control Pinch Valve is a cost effective-choice when centerline valve closure is required. The Series 5700 offers a 100% full round port opening and Class V shut-off. In throttling service, the 5700 provides true feedback positioning, and accurate, repeatable variable venturi flow control. There are no seats to grind, no stuffing box to repack, and no packing gland to adjust ever. The rugged, self-cleaning elastomer sleeve isolates all mechanical parts of the mechanism, so the operating torque remains constant.

Full port opening and centerline closure is extremely important for larger size pinch valves in abrasive and high velocity applications. Patented by Red Valve Company in 1983, the Series 5700 with centerline closure outlasts all other types of gate, plug or ball valves on control of abrasive and corrosive slurries.

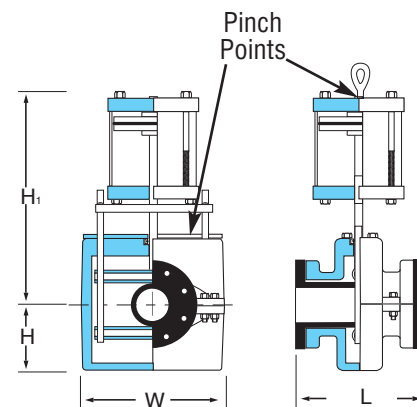
Cone Sleeves can be specified to further enhance control performance and match the exact  $C_v$  level desired. True feedback positioning is accomplished through the direct linkage of the pneumatic positioner to the valve stem shaft.

### Materials of Construction

- ▶ Ductile iron body
- ▶ Sleeves available in Pure Gum Rubber, Neoprene, Hypalon®, Chlorobutyl, Buna-N, EPDM and Viton®
- ▶ ATO/ATC, ATO/Fail Close, ATC/Fail Open hydraulic or electric actuators
- ▶ Drilled and tapped to mate with ANSI B16.5 Class 150 flanges



Closing Action



### SERIES 5700

VALVE SIZE	LENGTH L	WIDTH W	HEIGHT		WORKING PRESSURE psi**	WEIGHT ATO/ATC lbs*
			H	ATO/ATC H1*		
4"	9"	10-1/2"	5-3/4"	33"	150	225
5"	10"	15-3/8"	8-1/2"	36"	150	278
6"	10-1/2"	18-1/4"	7-7/8"	36"	150	305
8"	16"	23-1/4"	9-1/8"	43-1/2"	125	418
10"	20"	29-3/4"	10-1/2"	48"	100	575
12"	24"	35"	11-1/2"	56"	100	779
14"	28"	37-1/2"	14-1/2"	58-3/4"	75	1450
16"	32"	41-1/2"	15-1/2"	64-1/2"	50	1810
18"	36"	51"	17"	68-1/2"	50	2160
20"	40"	47-3/4"	17-3/4"	72-3/4"	50	2450
24"	48"	57"	25-1/2"	91"	50	4200

\*The above height dimensions are only to be used as a guideline. Total height will vary based on actuator size and actuator type.

For larger sizes up to 72", consult factory.

\*\*Higher working pressures available with the Series 5400 design.

