

Series 5400

Control Pinch Valve



- ▶ Heavy-duty valve design actuator closes on centerline
- ▶ No packing to maintain, ever
- ▶ Accurate, repeatable control
- ▶ Ideal for corrosive and abrasive slurries
- ▶ True feedback positioning



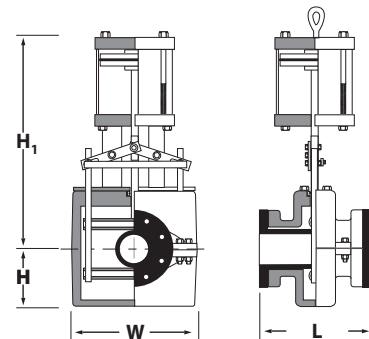
Red Valve's Series 5400 Control Pinch Valve features centerline closure, true feedback positioning, a compact size and accurate, repeatable variable venturi flow control.

Centerline closure is extremely important for larger size pinch sleeves on abrasive and high velocity applications. Centerline closure outlasts all other types of gate, plug or ball valves on control of abrasive and corrosive slurries. The resilient elastomer sleeve outlasts even stellite-coated control valves.

Cone Sleeves can be specified to further enhance control performance and match the exact Cv level desired. True feedback positioning is accomplished through the direct linkage of the pneumatic positioner to the valve stem shaft. The benefits of true feedback positioning on Red Valve Series 5400s include accurate small responsive signal changes to the positioner, causing similar changes in true valve position, greatly enhancing control accuracy and repeatability.

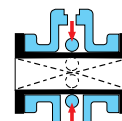
Materials of Construction

- ▶ Ductile iron body
- ▶ ATO/ATC, ATO/FC, ATO/FO, hydraulic or electric actuators
- ▶ Sleeves available in Pure Gum Rubber, Neoprene, Hypalon®, Chlorobutyl, Buna-N, EPDM and Viton®
- ▶ Drilled and tapped to mate with ANSI B16.5 Class 150 flanges



SERIES 5400

VALVE SIZE	LENGTH L	WIDTH W	HEIGHT		WORKING PRESSURE psi**	WEIGHT ATO/ATC lbs*
			H	ATO/ATC H ₁ *		
4"	9"	10-1/2"	5-3/4"	26-1/2"	150	210
5"	10"	15-3/8"	8-1/2"	32"	150	250
6"	10-1/2"	18-1/4"	7-7/8"	32-1/8"	150	288
8"	16"	23-1/4"	9-1/8"	32-1/2"	125	385
10"	20"	29-3/4"	10-1/2"	43"	100	520
12"	24"	35"	11-1/2"	46"	100	709
14"	28"	37-1/2"	14-1/2"	51-3/4"	75	1,200
16"	32"	41-1/2"	15-1/2"	56-1/2"	50	1,600
18"	36"	51"	17"	59-1/2"	50	2,000
20"	40"	47-3/4"	17-3/4"	62-3/4"	50	2,450
24"	48"	57"	25-1/2"	***69"	50	4,200
30"	60"	78"	20-1/2"	***74"	50	8,300
36"	72"	77"	32"	***96"	50	14,300
42"	84"	92"	36"	***124"	50	28,500
48"	96"	106"	41"	***136"	50	42,500
54"	108"	120"	48"	***148"	50	60,000



Closing Action

*Consult factory for specific heights and weights of fail-close or fail-open valves.

**Higher working pressures available.

***Hydraulic or electric only.

For larger sizes up to 72", consult factory.

