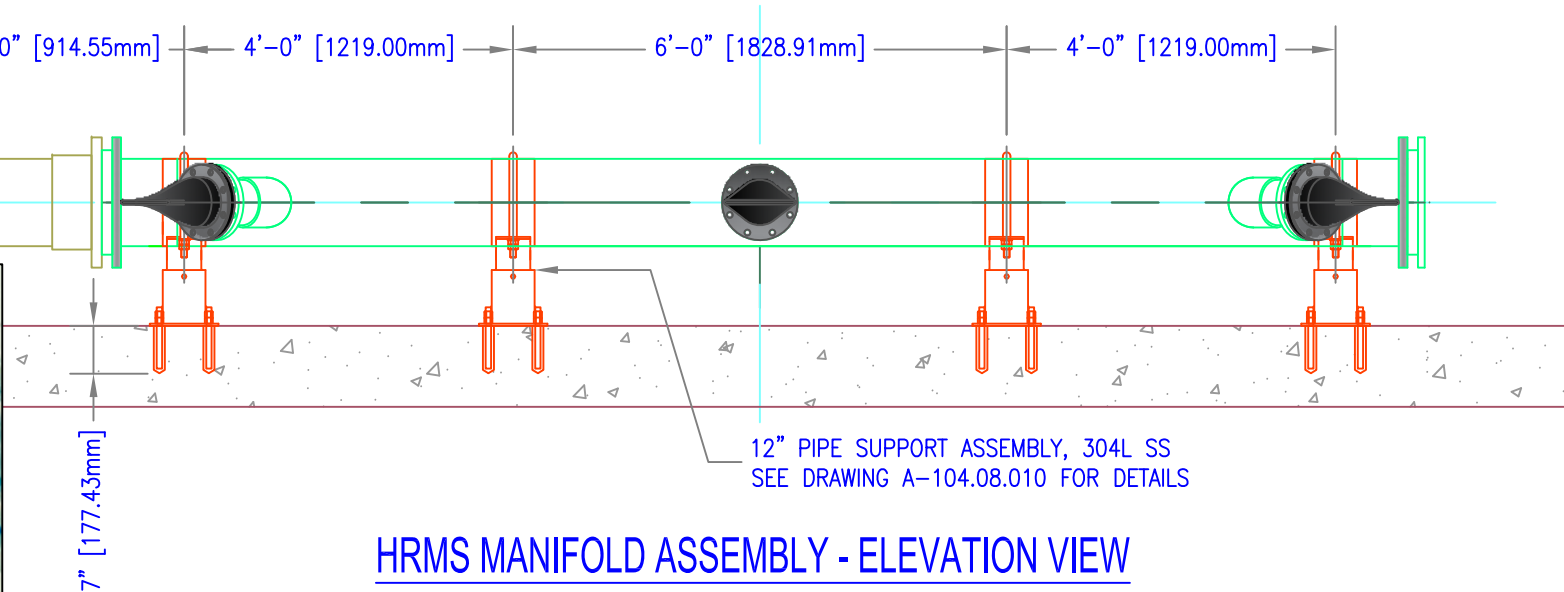


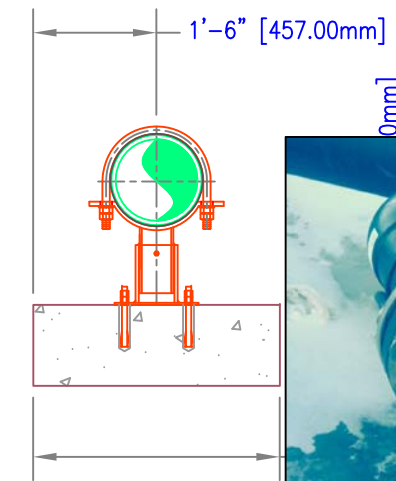
HRMS MANIFOLD ASSEMBLY - PLAN VIEW

TIDEFLEX HRMS MIXING NOZZLE
6" NOMINAL SIZE, EPDM
CONSTRUCTION INDEX = 134
SEE DRAWING A-110.00.002 FOR DETAILS



HRMS MANIFOLD ASSEMBLY - ELEVATION VIEW

12" PIPE SUPPORT ASSEMBLY, 304L SS
SEE DRAWING A-104.08.010 FOR DETAILS

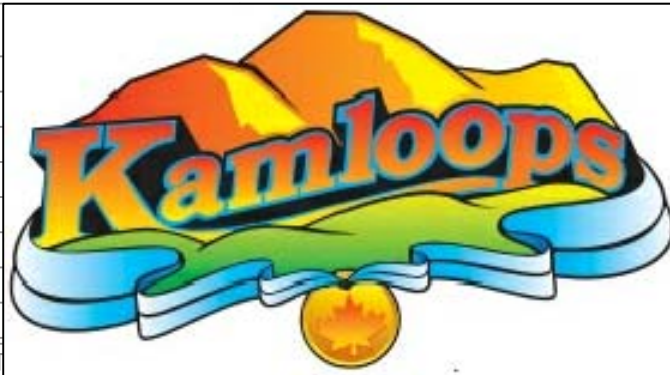


SECTION A-A



J7

REV	BY	DATE	ECO#	CHK'D	DESCRIPTION
B	PAP	8/5/15			RELEASE FOR FABRICATION
A	JTK	06/12/15			ISSUED FOR APPROVAL



Application: Anaerobic Lagoon
Project Location: Charlie Lake, BC, Canada
Engineer: Urban Systems (Kamloops, BC)

37582



TIDEFLEX TECHNOLOGIES HRMS SYSTEM
700 North Bell Ave.
Carnegie, PA 15106 USA
Phone: 412-279-0044
Fax: 412-279-5410
Website: WWW.TIDEFLEX.COM
Email: INFO@TIDEFLEX.COM

**CHARLIE LAKE STP
ANAEROBIC CELL MIXING MANIFOLD
PLAN AND DETAIL VIEWS**

CONSULTANT:	HRMS SYSTEM	DWG. NO.	AS15-37582	SHEET	01
APPLICATION:	HRMS SYSTEM	CAD SCALE:	FULL	PLOT SCALE:	FULL
DWG. BY:		DATE:			