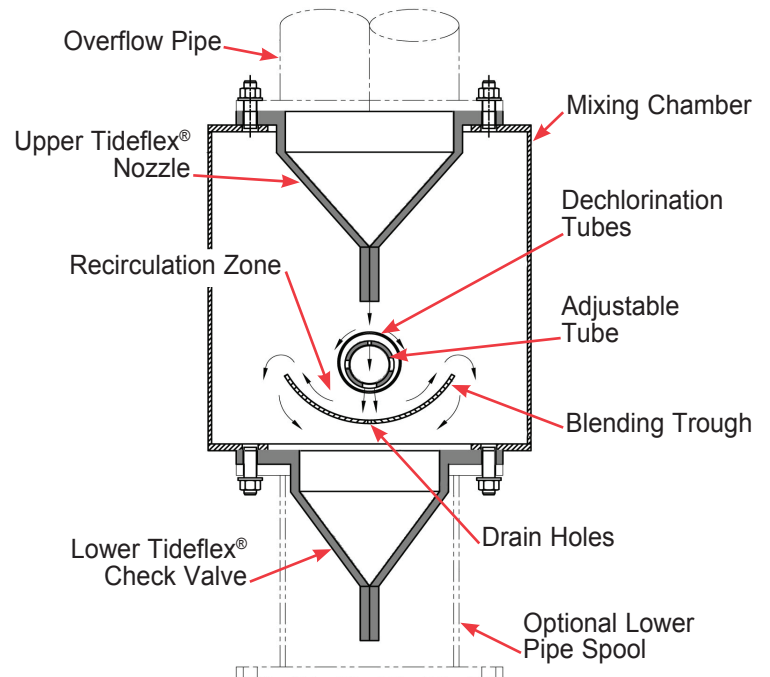


Tideflex® Dechlorinating Overflow Security Assembly (DOSA) Innovative System for Water Tank Overflow and Drain Pipes

Discharging chlorinated water from storage tank overflows and drain pipes onto land or into a stormwater system can be toxic and severely harmful to plant and aquatic life. In order to address environmental concerns and potential regulatory penalties, Red Valve has designed an overflow pipe assembly that prevents animal intrusion, increases tank security and removes chlorine residual during overflow and drain discharges. The Dechlorinating Overflow Security Assembly (DOSA) is constructed of dual Tideflex® Nozzles and an internal adjustable dechlorination tube completely enclosed in an epoxy-coated steel body.



DOSA Features and Benefits

- Removes chlorine residuals during overflow events
- Non-clogging
- Adjustable internal tube maximizes removal efficiency and minimizes tablet erosion
- Fast and slow dissolving dechlorination tablets available for adjustability
- Dual Tideflex® Nozzles provide security against intentional damage to tank
- Dual Tideflex® Nozzles provide favorable internal climate to preserve life of dechlorination tablets
- Keeps water system compliant with discharge regulations
- Prevents birds, rodents, pathogens and cold air from entering tank
- Low head loss
- Overflow Hydraulic Analysis available
- Lower flanged pipe spool available
- Sizes 4-24" (100-600mm), consult factory for smaller and larger sizes.
- Installed in vertical, horizontal and sloped pipes
- Will not freeze in cold weather



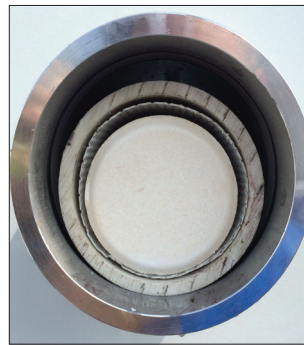
*DOSA during testing
 (transparent side for illustration only)*

Tideflex® Dechlorinating Overflow Security Assembly (DOSA) Innovative System for Water Tank Overflow and Drain Pipes

During an overflow event, the upper Tideflex® Nozzle discharges an elliptically-shaped jet down onto the dechlorination tube. A calculated portion of the water passes through the tubes, making contact with the dechlorination tablets. The rest of the water deflects around the tubes. Then both combine in the blending trough to ensure all water has been thoroughly mixed and dechlorinated prior to discharging out of the DOSA through the lower Tideflex® Check Valve.



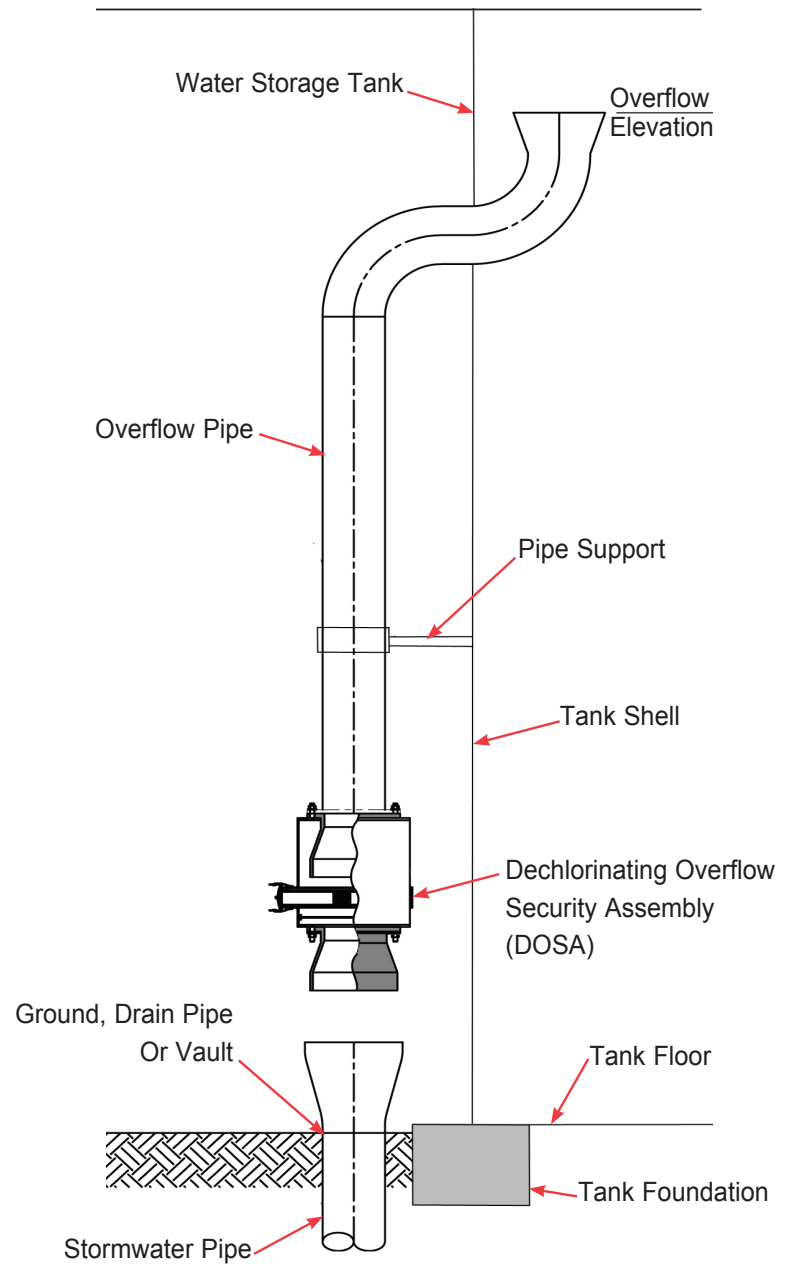
Perforated screen and adjustable internal tubes



Adjustable internal tubes with dechlorination tablets installed



Finished assembly



U.S. Patent No. 10,538,438

Canadian Patent No. 2,934,752