



### Materials of Construction

- ▶ Ductile iron body standard 3" - 30"
- ▶ Fabricated steel body 26" and larger
- ▶ Available sleeve materials: Pure Gum Rubber, EPDM or BUNA-N, other materials available on request
- ▶ Standard gate material: 316L SS
- ▶ Optional gate materials: 17-4PH, 317L, 904L, duplex, alloy 20 and C-276
- ▶ Optional proprietary gate coatings: PTFE, PFA and FEP
- ▶ Optional splash guard and pipe-away containment

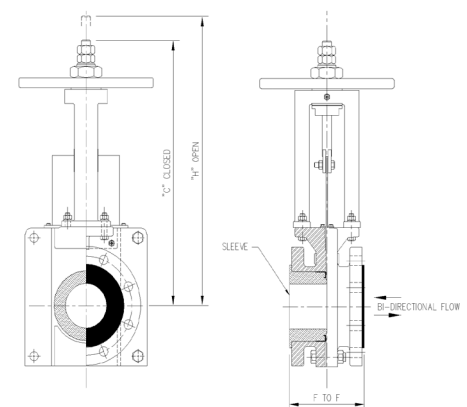
### Series DX

Red Valve's Series DX Slurry Knife Gate Valves are the most durable and user-friendly valves available for difficult slurry applications. The fully elastomer-lined DX Valve prevents slurry build-up or dewatering by eliminating the seat cavity. Bodies made from ductile iron provide a ruggedness that can only be provided by castings having significant elongation.

When open, the DX Valve's reinforced elastomer sleeves seal against each other, providing a 100% full-port opening which minimizes turbulence and wear. In this open position, the seats isolate and protect all metal parts of the valve from coming in contact with the process. When closed, the sleeves provide a drop-tight seal in both directions.

Each time the DX Valve strokes, it discharges a small amount of slurry, which keeps the gate path and seat area clear of entrapped particulates. Unlike traditional knife gate valves, the DX prevents slurry build-up in the seat area, which might otherwise prohibit the valve's ability close. Both the slurry sleeves and gates are field-replaceable.

A wiper blade mounted on top of the valve prevents the gate lubricant and process from leaking through the top. The DX Valve's innovative design eliminates the need for traditional packing. This wiper blade also prevents external grit from entering the valve body. To control slurry discharging from slot in the valve, a plate style splash guard is utilized. Optional systems to pipe or flush slurry away are also available.



### Series DX

Valve Size	Length F to F		Height Closed C	Height Open H	Max Operating Pressure 316 SS Gate (psi)	Max Operating Pressure 17-4 PH Gate (psi)	Weight (lbs)
	Without Retaining Flanges	With Retainig Flanges					
3"	5.875"	6.875"	17.13"	20.38"	100	150	49
4"	5.875"	6.875"	18.25"	22.63"	100	150	66
6"	6"	7"	21.06"	27.18"	100	150	109
8"	6.25"	7.025"	26.56"	34.50"	100	150	173
10"	---	8.875"	32.44"	43.63"	100	150	222
12"	---	10.125"	37"	50.88"	100	150	340
14"	---	10.125"	43.63"	57.63"	100	150	495
16"	---	11"	47.5"	63"	100	150	635
18"	---	12.125"	52.53"	70"	100	150	895
20"	---	14.125"	57.94"	74.13"	100	150	1060
24"	---	14.625"	66.68"	86.94"	100	150	2250
30"	---	15.75"	88.63"	120.63"	75	150	2388

Retaining rings are optional in valve sizes 3" - 8" and standard in sizes 10" and larger. 36", 42" and 48" available upon request.