

Series 75B Underground Service Manual Pinch Valve



- Designed for buried service.
- Sealed body and yoke, with no packing to maintain.
- Sleeve is the only wetted part, reduces maintenance.
- Above ground position indicator available for instant position identification.

Materials of Construction

- **Body:** Cast iron
- **Yoke:** Carbon steel
- **Sleeves:** Pure Gum Rubber (PGR), Ethylene Propylene Diene Terpolymer (EPDM), Acrylonitrile-Butadiene (NBR), Fluoroelastomer (FKM), Chloroprene (CR), Chlorosulfonated Polyethylene (CSM), Chloro-Isobutylene-Isoprene (CIIR).

When ordering a 75B, specify which operating option your application requires:

- AWWA nut
- Handwheel on top with no bevel gear
- Bevel gear operator
- Bevel gear operator with dial gear position indicator (G.P.I.)

The Series 75B Underground Service Manual Pinch Valve is a reliable, maintenance-free, cost-effective valve designed for tough slurries and abrasive or corrosive chemical applications below ground. This intrinsically safe pinch valve, which was developed specifically for underground service, is sealed with an epoxy coating and can be supplied with an above ground position indicator for instant identification if the valve is open, closed or in the throttled position. There are no seats to grind, no stuffing boxes to repack and no packing glands to adjust with the 75B. The pinching action is on centerline, creating a smooth venturi flow pattern through the valve. The 75B is self-cleaning.

Series 75B Pinch Valves have been in underground service for over 30 years in chemical and sewage treatment facilities. The 75B is virtually maintenance free.

The Series 75B has the same ASME B16.10 face-to-face as gate, plug or ball valves up to 6".

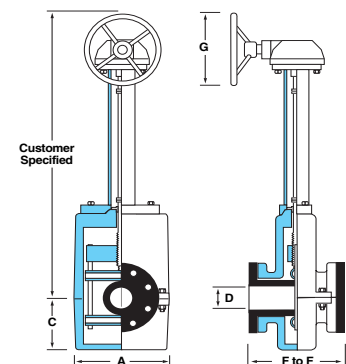
Custom stem extensions, AWWA nuts and floorstands are also available for the Series 75B.

SERIES 70B

VALVE SIZE D*	DIMENSIONS in/mm			HANDWHEEL DIAMETER G**	WORKING PRESSURE** psi/kPa	VALVE WEIGHT lbs/kg
	LENGTH F-to-F	WIDTH A	C			
1" 25mm	5.50 140	5.88 149	2.88 73	---	150 1030	20 9
1.5" 40mm	6.50 165	9.00 229	3.63 92	---	150 1030	40 18
2" 50mm	7.00 178	10.50 267	5.38 137	---	150 1030	70 32
2.5" 65mm	7.50 191	9.50 241	4.75 121	---	150 1030	80 36
3" 80mm	8.00 203	9.50 241	5.00 127	---	150 1030	90 41
4" 100mm	9.00 229	10.75 273	5.50 140	18.00 457	150 1030	100 45
5" 125mm	10.00 254	15.38 391	7.75 197	18.00 457	150 1030	200 91
6" 150mm	10.50 267	18.25 464	8.38 213	18.00 457	150 1030	220 100
8" 200mm	16.00 406	23.25 591	9.75 248	18.00 457	125 860	420 191
10" 250mm	20.00 508	31.25 794	10.00 254	18.00 457	100 690	510 231
12" 300mm	24.00 610	35.00 889	12.00 305	18.00 457	100 690	650 295

* Larger sizes available, consult factory.

** With optional bevel gear.



Shown with bevel gear operator and a 90° handwheel.