

Series 40W Pressure Sensor Installation, Operation and Maintenance Manual



IMPORTANT

Please take a moment to review this manual. Before performing any maintenance on the pressure sensors be sure the pipeline has been de-pressurized. The improper installation or use of this product may result in personal injury, product failure, or reduced product life. Red Valve Co., Inc. can accept NO liability resulting from the improper use or installation of this product. If you have any questions or problems, please call the customer service department at (412) 279-0044. We appreciate your comments. And thank you for choosing Red Valve.

OPERATION:

Red Valve Sensors are a sealed system.

These Sensors must be properly filled and sealed before any pressure is applied. Do not loosen the retaining bolts on the Series 40, Series 48 or Series 42, or the end caps on Series 44. If this equipment is removed, air can be introduced into the sensing fluid, which can cause inaccurate readings. Great care should be taken to eliminate all air in the system. If the instrumentation is removed, or the bolts or end caps loosened, the sensor should be properly refilled (see fill instructions).

Gauge cocks can be used to isolate the instrumentation, however, when the instrument is removed there is going to be some fluid lost, possibly causing an inaccurate reading. Quick disconnect couplings with two-way check valves, which minimize fluid loss, can also be furnished.

Red Valve sensors have very sensitive sleeves for more accurate readings. The sleeves do not act as pressure snubbers. If a sensor is used near a pump or equipment which produces frequent pressure surges, a pressure snubber or liquid-filled gauge should be used.

NOTE: If a pressure snubber is used, the sensor should be vacuum filled to ensure complete removal of air from the instrumentation.

FLUID VOLUME:

Red Valve Pressure Sensors are manufactured with a small volume of sensing fluid. Some types of pressure switches require a large amount of sensing fluid. If these switches or multiple instruments are used, check the amount of fluid required to operate the instruments. The amount of usable fluid in the sensor is slightly less than the total fluid volume. In sensors with elastomer sleeves, the approximate amount of usable fluid in cubic inches is $.25 \times \text{Nominal Pipe Size}$. If a larger volume of usable fluid is needed, an Extra Large Volume (XLV) sensor should be specified on the purchase order.

INSPECTION:

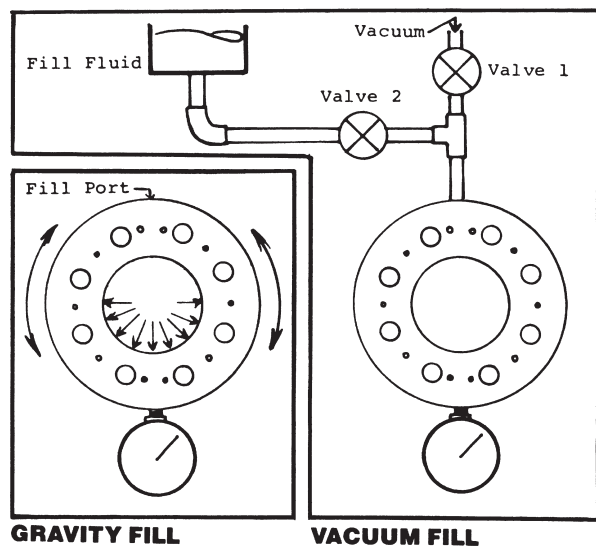
Red Valve Pressure Sensors should be periodically inspected for wear or aging of the elastomer sleeve. Since there is very little sleeve movement, the wear on the sleeve is minimal. The sleeves are, however, subject to chemical attack from the process fluids. The entire sleeve should be periodically checked for cracks, cuts and blisters and replaced if necessary. The inspection interval should be determined by the severity of the service.

STORAGE:

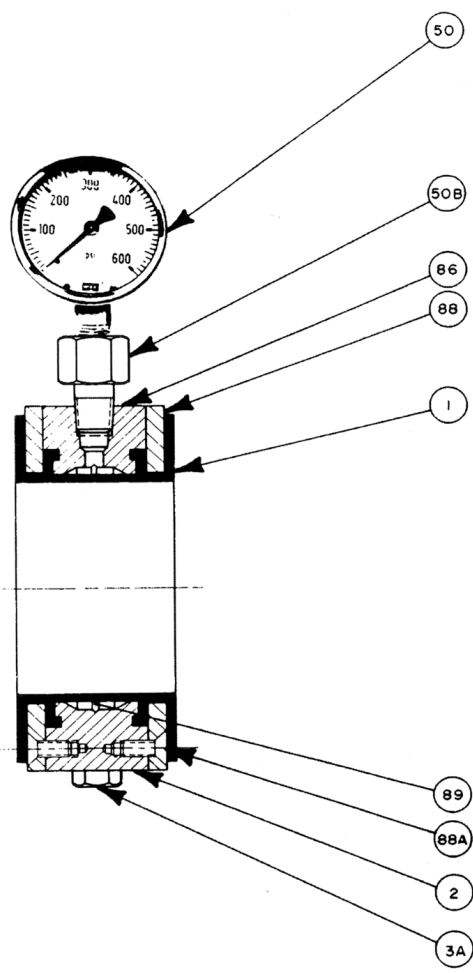
Complete sensors and replacement sleeves should be stored in a cool, dark place. Exposure to heat, extreme sunlight will damage sleeves. The sleeves also should not be exposed to electrical equipment which produces ozone, because, this will damage the sleeves. Red Valve will not be liable for parts which are improperly stored.

SLEEVE REPLACEMENT:

1. Ensure that line is de-pressurized!
2. Remove sensor from line.
3. Remove instrumentation to prevent damage (50)
4. Remove pipe plug. (3A)
5. Drain the fluid from the sensor.
6. Peel back rubber sleeve flange to expose screws.
7. Remove end plate screws. (88A)
8. Remove end plates. (88)
9. Clean all components thoroughly. Remove any fragments of rubber or pieces of Teflon tape. Loose fragments may clog gauges or instruments.
10. Inspect metal parts for sharp edges.
11. Remove any sharp edges with a fine metal file or fine grinding wheel. Be sure to remove only enough metal to smooth surface.
12. Flush out gauge.
13. Collapse new sleeve, (1) push thru housing (2) and work seal lips into housing groove.
14. Bend over outer sleeve flanges and reinstall flange rings (88). Do not pinch seal lips.
15. Replace end plate screws. (88A)



NOTE: Some types of pressure switches will not operate unless they are mounted upright.



ITEM DESCRIPTIONS	REQ'D
1 SLEEVE	1
2 HOUSING	1
3A PLUG	1
50 GAUGE	1
88 END PLATE	2
88A SCREW, END PLATE	*
50B ADAPTER	*
86 PROTECTIVE COATING	2 COATS
89 SENSING LIQUID	AS REQ'D

ITEM	QUANTITY										
	RING SIZE										
	1	1-1/2	2	2-1/2	3	4	6	8	10	12	14
88A	12	12	12	12	12	8	8	16	16	24	24

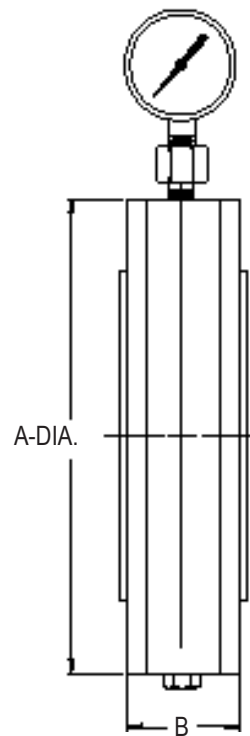
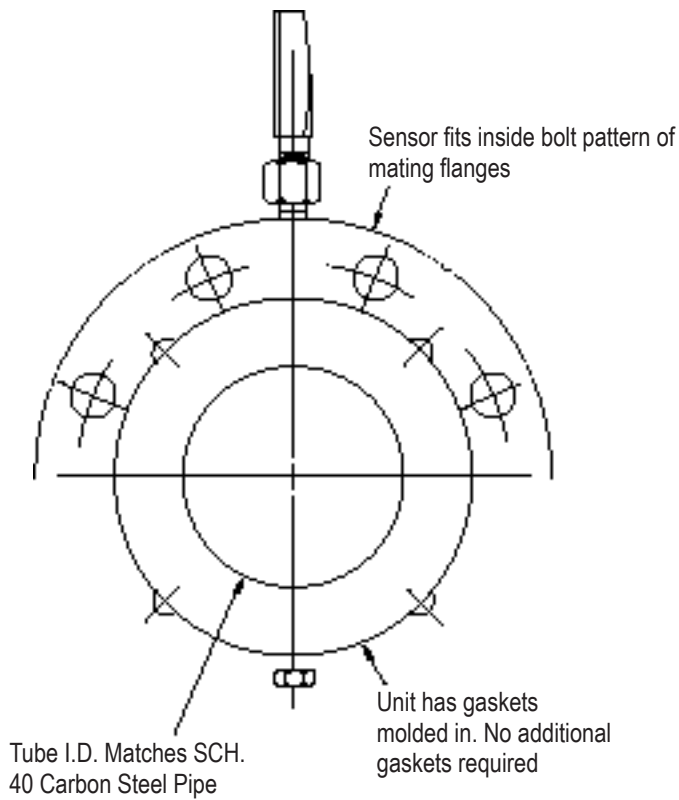
NOTE:
ADAPTER APPEARS ON 2-1/2" THRU 14".
QUALITY IS 1.

GRAVITY FILL:

1. Turn sensor as shown in Figure or place the gauge or instrument in the bottom connection if the sensor is still in line. If a sensor is filled while it is still in line, be sure that there is no pressure in the line.
NOTE: Some types of pressure switches will not operate unless they are mounted upright.
2. Remove the NPT plug. It may be necessary to remove an epoxy fill covering the plug.
3. Pour fill fluid into the port until the threaded hole is half full.
4. Press on the inside diameter of the sleeve in several places. Bubbles should be visible in the top NPT connection, and the fluid level will decrease. The sensor may also be rotated approximately 45° if possible, this will help to get air bubbles out of the gauge or instrument.
5. Repeat steps 3 and 4 until the fluid level in the NPT connection does not change and no bubbles appear.
6. Fill the NPT connection to within a 1/4" inch of the outside diameter of the sensor.
7. Wrap the pipe plug with three layers of Teflon tape. Insert the plug into the port and tighten.

VACUUM FILL:

1. Connect the sensor to the assembly shown.
2. Close valve #2 and open valve #1.
3. Pull a 20" inch of mercury vacuum for at least 2 minutes on the sensor.
NOTE: If a pressure snubber or pulsation dampener is used, keep the vacuum on the sensor for an additional 3 minutes.
4. Close valve #1 and open valve #2, this allows the fill fluid to be pulled into the sensor.
5. Remove the assembly and fill the NPT connection to within 1/4" inch of the outside diameter of the sensor.
6. Wrap the pipe plug with three layers of Teflon tape. Insert the plug into the port and tighten.
If the gauge or instrument can not be installed in the bottom connection, fill the sensor as described. Then turn the instrument upside down and completely fill it with fluid. Cover the ends with Saran wrap and wrap teflon tape around the threads. Puncture the Saran wrap with a pin and install the instrument into the gauge connection.



Series 40W Pressure Sensor

Valve Size	H	W
1"	4 1/2"	1 7/8"
1 1/2"	5"	1 7/8"
2"	6"	1 7/8"
2 1/2"	7"	1 7/8"
3"	7 1/2"	1 7/8"
4"	9"	2 1/8"
5"	10"	2 1/4"
6"	11"	2 1/4"
8"	13 1/2"	2 1/2"



Limited Warranty

Red Valve Company ("Seller") manufactured products, auxiliaries and parts thereof that we manufacture for a period of twenty-four (24) months from date of shipment from Seller's factory, are warranted to the original purchaser only against defective workmanship and material, but only if properly stored, installed, operated, and serviced in accordance with Seller's recommendations and instructions.

For items proven to be defective within the warranty period, your exclusive remedy under this limited warranty is repair or replacement of the defective item, at Seller's option, FCA Incoterms 2020 Seller's facility with removal, transportation, and installation at your cost.

Products or parts manufactured by others but furnished by Seller are not covered by this limited warranty. Seller may provide repair or replacement for other's products or parts only to the extent provided in and honored by the original manufacturer's warranty to Seller, in each case subject to the limitations contained in the original manufacturer's warranty.

No claim for transportation, labor, or special or consequential damages or any other loss, cost or damage is being provided in this limited warranty. You shall be solely responsible for determining suitability for use and in no event shall Seller be liable in this respect.

This limited warranty does not warrant that any Seller product or part is resistant to corrosion, erosion, abrasion or other sources of failure, nor does Seller warrant a minimum length of service.

Your failure to give written notice to us of any alleged defect under this warranty within twenty (20) days of its discovery, or attempts by someone other than Seller or its authorized representatives to remedy the alleged defects therein, or failure to return product or parts for repair or replacement as herein provided, or failure to store, install, or operate said products and parts according to the recommendations and instructions furnished by Seller shall be a waiver by you of all rights under this limited warranty.

This limited warranty is voided by any misuse, modification, abuse or alteration of Seller's product or part, accident, fire, flood or other Act of God, or your failure to pay entire contract price when due.

The foregoing limited warranty shall be null and void if, after shipment from our factory, the item is modified in any way or a component of another manufacturer, such as but not limited to; an actuator is attached to the item by anyone other than a Seller factory authorized service personnel.

All orders accepted shall be deemed accepted subject to this limited warranty, which shall be exclusive of any other or previous warranty, and this shall be the only effective guarantee or warranty binding on Seller, despite anything to the contrary contained in the purchase order or represented by any agent or employee of Seller in writing or otherwise, notwithstanding, including but not limited to implied warranties.

THE FOREGOING REPAIR AND REPLACEMENT LIMITED WARRANTY IS IN LIEU OF ALL OTHER WARRANTIES, OBLIGATIONS AND LIABILITIES, INCLUDING, BUT NOT LIMITED TO, ALL WARRANTIES OF FITNESS FOR A PARTICULAR PURPOSE OR OF MERCHANTABILITY OR OTHERWISE, EXPRESSED OR IMPLIED IN FACT OR BY LAW, AND STATE SELLER'S ENTIRE AND EXCLUSIVE LIABILITY AND YOUR EXCLUSIVE REMEDY FOR ANY CLAIM IN CONNECTION WITH THE SALE AND FURNISHING OF SERVICES, GOODS OR PARTS, THEIR DESIGN, SUITABILITY FOR USE, INSTALLATION OR OPERATIONS. NEITHER ANY PERFORMANCE OR OTHER CONDUCT, NOR ANY ORAL OR WRITTEN INFORMATION, STATEMENT, OR ADVICE PREPARED BY SELLER OR ANY OF OUR EMPLOYEES OR AGENTS WILL CREATE A WARRANTY, OR IN ANY WAY INCREASE THE SCOPE OR DURATION OF THIS LIMITED WARRANTY.

Limitation of Liability

IN NO EVENT SHALL SELLER BE LIABLE FOR ANY DIRECT, INDIRECT, SPECIAL, PUNITIVE, EXEMPLARY, OR CONSEQUENTIAL DAMAGES (INCLUDING, BUT NOT LIMITED TO, DAMAGE TO OR LOSS OF OTHER PROPERTY OR EQUIPMENT, BUSINESS INTERRUPTION, COST OF SUBSTITUTE PRODUCTS, LOSS OF TIME, LOSS PROFITS OR REVENUE, COST OF CAPITAL, LOSS OF USE, OR DIMINUTION IN VALUE) WHATSOEVER, AND SELLER'S LIABILITY, UNDER NO CIRCUMSTANCES, WILL EXCEED THE CONTRACT PRICE FOR THE GOODS AND/OR SERVICES FOR WHICH LIABILITY IS CLAIMED. ANY ACTION FOR BREACH OF CONTRACT BY YOU, OTHER THAN RIGHTS RESPECTING OUR LIMITED WARRANTY DESCRIBED ABOVE, MUST BE COMMENCED WITHIN 12 MONTHS AFTER THE DATE OF SALE.

Sales and Service

For information about our worldwide locations, approvals, certifications and local representative:

Web site: RedValve.com E-Mail: support@redvalve.com



750 Holiday Drive, Suite 400, Pittsburgh, PA 15220 • Phone: 412-279-0044

Red Valve Company reserves the right to incorporate our latest design and material changes without notice or obligation. Design features, materials of construction and dimensional data, as described in this manual, are provided for your information only and should not be relied upon unless confirmed in writing by Red Valve Company. Certified drawings are available upon request.