

Series 5200E Electric Actuated Control Pinch Valve



- Electric actuation provides precise, accurate control.
- Sleeve is the only wetted part, so breakaway torques remain constant.
- Bi-directional, drop-tight shutoff.
- Enclosed rising stem design.

The Series 5200E Electric Actuated Control Valve is a reliable, maintenance-free, cost-effective valve designed for tough slurry and abrasive applications. There are no seats to grind, no stuffing boxes to repack and no packing glands to adjust, ever. The rugged, self-cleaning elastomer sleeve is the only wetted part and isolates all mechanical parts of the valve, so the breakaway torque remains constant.

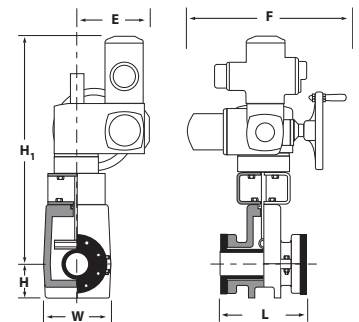
Materials of Construction

- **Body:** Ductile iron
- **Sleeves:** Pure Gum Rubber, Ethylene Propylene Diene Terpolymer (EPDM)*, Acrylonitrile-Butadiene (NBR), Fluoroelastomer (FKM)*, Chloroprene (CR)*, Chlorosulfonated Polyethylene (CSM), Chloro-Isobutylene-Isoprene (CIIR).
* - White food grade options available.
- **Drilled and tapped flanges:** ASME 150, ASME B16.1 125 cast flanges, AWWA C110 125 flanges, EN1092 PN 6, EN1092 PN 10, EN1092 PN 16, JIS 5K, JIS 10K.
Other drill patterns available upon request.
- **Actuators:** AUMA, Limitorque, Rotork, other electric actuators.
- **Optional:** Extended stems and torque tubes, floorstands, control components.

Red Valve Series 5200E Electric Actuated Control Valves are actuated by AUMA, Limitorque or Rotork electric operators as standard and include heaters, thermostats, position indicators and indication lights. Other electric motor operators are available upon request. Declutch and override components are furnished as standard. Controls can be furnished as an integral part of the electric operator or as a separate unit for a remote station. Optional features include: NEMA 7 explosion-proof construction, proportioning control from a 4-20 mA instrument signal and 4-20 mA output transmitter.

SERIES 5200E ELECTRICALLY ACTUATED

VALVE SIZE*	DIMENSIONS in/mm							
	LENGTH L	WIDTH W	HEIGHT		ACTUATOR WIDTH E**	ACTUATOR LENGTH F**	WORKING PRESSURE psi/kPa	WEIGHT lbs/kg
			H	H ₁ **				
1" / 25mm	7.25 / 184	6.00 / 152	2.44 / 32	28.13 / 715	9.33 / 237	19.50 / 495	150 / 1030	87 / 39
1.5" / 40mm	8.75 / 222	8.00 / 203	2.75 / 70	28.25 / 718	9.33 / 237	19.50 / 495	150 / 1030	131 / 59
2" / 50mm	10.00 / 254	8.00 / 203	3.50 / 89	28.38 / 721	9.33 / 237	20.38 / 518	150 / 1030	164 / 74
2.5" / 65mm	10.88 / 276	9.00 / 229	4.00 / 102	29.63 / 753	9.75 / 248	21.13 / 537	150 / 1030	207 / 94
3" / 80mm	11.75 / 298	11.50 / 292	4.25 / 108	30.81 / 783	9.75 / 248	21.13 / 537	150 / 1030	240 / 109
4" / 100mm	13.88 / 352	13.50 / 343	6.63 / 168	34.13 / 867	11.25 / 286	27.75 / 705	150 / 1030	356 / 161
6" / 150mm	17.75 / 451	16.88 / 429	7.63 / 194	35.13 / 892	11.25 / 286	28.00 / 711	150 / 1030	443 / 201
8" / 200mm	21.38 / 543	19.88 / 505	9.13 / 232	37.88 / 962	12.13 / 308	33.88 / 861	150 / 1030	675 / 306
10" / 250mm	26.50 / 673	23.50 / 597	11.00 / 279	39.81 / 1011	12.13 / 308	33.88 / 861	150 / 1030	810 / 367
12" / 300mm	29.00 / 737	27.50 / 699	11.81 / 300	40.63 / 1032	12.13 / 308	33.88 / 861	150 / 1030	999 / 453
14" / 350mm	28.00 / 711	31.00 / 787	14.00 / 356	42.81 / 1087	12.13 / 308	33.88 / 861	75 / 520	1490 / 676
16" / 400mm	32.00 / 813	34.00 / 864	15.00 / 381	43.81 / 1113	12.13 / 308	33.88 / 861	50 / 350	1890 / 867
18" / 450mm	36.00 / 914	44.00 / 1118	16.50 / 419	46.25 / 1175	14.44 / 367	36.44 / 926	50 / 350	2630 / 1193
20" / 500mm	40.00 / 1016	40.00 / 1016	17.00 / 432	46.81 / 1189	14.44 / 367	36.44 / 926	50 / 350	3180 / 1442
24" / 600mm	48.00 / 1219	57.00 / 1448	20.50 / 521	74.25 / 1886	15.81 / 402	41.00 / 1041	50 / 350	3845 / 1744
30" / 750mm	60.00 / 1524	78.00 / 1981	20.50 / 521	57.00 / 1448	19.13 / 486	51.00 / 1295	50 / 350	6930 / 3143
36" / 900mm	72.00 / 1829	94.00 / 2388	32.00 / 813	69.00 / 1753	19.13 / 486	51.00 / 1295	40 / 280	12,000 / 5443
42" / 1050mm	84.00 / 2134	110.00 / 2794	38.00 / 965	80.00 / 2032	20.63 / 524	55.63 / 1413	35 / 240	19,000 / 8618
48" / 1200mm	96.00 / 2438	125.00 / 3175	43.00 / 1092	92.00 / 2337	20.63 / 524	55.63 / 1413	30 / 200	28,500 / 12,927
54" / 1400mm	108.00 / 2743	141.00 / 3581	49.00 / 1245	104.00 / 2642	20.63 / 524	55.63 / 1413	25 / 170	40,000 / 18,144



* Sizes over 4" are D-Port design.

** Dimensions are based on AUMA and are for reference only. Contact factory for exact dimensions.

For larger valve sizes up to 72", consult factory.

Series 5200E Electric Actuated Control Pinch Valve

Electric Actuator Standard Features

Series 5200E Modulating Electric Actuator

Bronze Operating Nut
 NEMA 4 Enclosure
 Class F Insulation
 2 Gear Train Limit Switches
 2 Torque Switches
 Manual Handwheel Override
 AUMA Matic C
 Reversing Starters
 Transformer
 3 Push Button Control Switches (O/S/C)
 Selector Switch (L/O/R)
 AUMATROL 601 Positioner
 4-20 mA DC Input
 Mechanical Dial Position Indicator (MDPI)

Series 5200E On/Off Electric Actuator

Bronze Operating Nut
 NEMA 4 Enclosure
 Class F Insulation
 2 Gear Train Limit Switches
 2 Torque Switches
 Manual Handwheel Override
 Basic Compact
 Reversing Starters
 Transformer
 3 Push Button Control Switches (O/S/C)
 Selector Switch (L/O/R)
 Mechanical Dial Position Indicator (MDPI)

Optional Extras

Precision Potentiometer
 Electronic Position Transmitter Type RWG
 Inductive Position Transmitter Type IWG (LVDT)

SERIES 5200E ELECTRICALLY ACTUATED - ON/OFF ACTUATOR

DIMENSIONS in/mm								
VALVE SIZE*	LENGTH L	WIDTH W	HEIGHT		ACTUATOR WIDTH E	ACTUATOR LENGTH F	WORKING PRESSURE psi/kPa	WEIGHT lbs/kg
			H	H ₁ **				
1" 25mm	7.25 184	6.00 152	2.44 32	21.81 554	9.33 237	19.50 495	150 1030	87 39
1.5" 40mm	8.75 222	8.00 203	2.75 70	21.75 552	9.33 237	19.50 495	150 1030	131 59
2" 50mm	10.00 254	8.00 203	3.50 89	22.50 572	9.33 237	20.38 518	150 1030	164 74
2.5" 65mm	10.88 276	9.00 229	4.00 102	23.25 591	9.75 248	21.13 537	150 1030	207 94
3" 80mm	11.75 298	11.50 292	4.25 108	24.50 622	9.75 248	21.13 537	150 1030	240 109
4" 100mm	13.88 352	13.50 343	6.63 168	26.63 676	11.25 286	27.75 705	150 1030	356 161
6" 150mm	17.75 451	16.88 429	7.63 194	28.50 724	11.25 286	28.00 711	150 1030	443 201
8" 200mm	21.38 543	19.88 505	9.13 232	33.25 845	12.13 308	33.88 861	125 860	675 306
10" 250mm	26.50 673	23.50 597	11.00 279	35.25 895	12.13 308	33.88 861	100 690	810 367
12" 300mm	29.00 737	27.50 699	11.81 300	35.81 910	12.13 308	33.88 861	100 690	999 453
14" 350mm	28.00 711	31.00 787	14.00 356	38.25 972	12.13 308	33.88 861	75 520	1490 676
16" 400mm	32.00 813	34.00 864	15.00 381	39.25 997	12.13 308	33.88 861	50 350	1890 867
18" 450mm	36.00 914	44.00 1118	16.50 419	46.25 1175	14.44 367	36.44 926	50 350	2630 1193
20" 500mm	40.00 1016	40.00 1016	17.00 432	46.81 1189	14.44 367	36.44 926	50 350	3180 1442
24" 600mm	48.00 1219	57.00 1448	20.50 521	74.25 1886	15.81 402	41.00 1041	50 350	3845 1744
30" 750mm	60.00 1524	78.00 1981	19.38 492	57.50 1461	22.44 570	62.38 1584	50 350	6930 3143

* Sizes over 4" are D Port design.

For larger sizes up to 72", consult factory.