

Series 39F

- ▶ Features fabricated large-diameter design.
- ▶ Provides maintenance-free operation—no hinges to bind or freeze.
- ▶ Can be mounted in any position.
- ▶ Closes on entrapped solids.

Materials of Construction

- ▶ Check sleeves available in pure gum rubber, neoprene, Hypalon®, buna-N, Viton® and EPDM.
- ▶ Fabricated steel ASTM A285 grade C or stainless steel 304SS ASTM A240 or 316SS ASTM A240.
- ▶ ANSI Class 125/150 flanges, DIN, PN6, PN10, PN16.
- ▶ Special coating available.



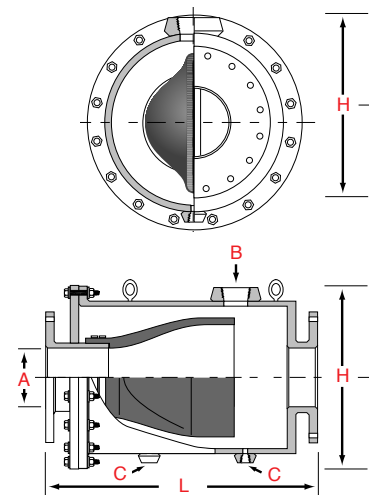
The Tideflex® Technologies Series 39F Fabricated InLine Check Valve is designed to handle abrasive material, sewage, sludge and other difficult slurries. The heart of the valve is the Tideflex® check sleeve that provides through-flow at minimum pressure drop across the valve at all times. Forward pressure opens the valve automatically; reverse pressure seals the valve. The valve's operation is silent and non-slamming.

The inner rubber check valve minimizes wear and deterioration caused by continuous operation of abrasive slurries. There are no mechanical parts such as hinges, disks or metal seats that can freeze, corrode or bind valve operation.

The steel-fabricated valve body is designed to provide easy installation or replacement of a standard Tideflex® Check Valve.

The Series 39F Fabricated InLine Check Valve is provided with an inspection port and bottom flush ports.

The valve flanges are drilled for through-bolting; face-to-face dimensions meet ANSI B16.10 specs. When ordering, specify line pressure, backpressure and whether an SST is required.



Dimensions Series 39F Fabricated Body

Valve Size A	Length L	Height H	Clean-Out Plug Dia. B	Flush Port Diameter C	Max. Backpressure (psi)	
					Standard Tideflex®	With Saddle Support
30	60	66	6	1	8	40
36	77	77	6	1	8	35
42	80	90	6	1	5	25
48	90	102	6	1	5	25
54	105	126	6	1	5	20
60	110	126	6	1	5	15
72	123	144	6	1	5	15
84	126	119	6	2	5	15

Numbers indicate maximum dimensions in inches.