

Goalpost Manifold and Bleed Valve



- Compatible with Series 40, 40W, 48 and 48W Pressure Sensors
- Mount up to 3 instruments
- 316 Stainless Steel construction
- Rugged threaded and welded connections
- Local and remote monitoring
- Process control
- Increased reliability
- Pressure rating 285 psi

Goalpost Manifold

The Goalpost Manifold is the newest accessory for Red Valve's extensive line of pressure sensors. The Goalpost Manifold allows attachment of up to three instruments onto a single pressure sensor. By utilizing multiple instruments, plant operators can read gauges locally or remotely and control processes from one pressure sensor.

Stainless Steel construction and connections that are threaded and then welded ensure a long service life, virtually zero leakage, and no misorientation. A drop nipple to the pressure sensor is constructed of 1/2" Stainless Steel pipe.

Each Goalpost Manifold has two arms with 1/4" NPT instrument ports and one 1/2" NPT instrument port at the drop nipple. The two Goalpost arms are cleverly designed with an upward slope to encourage vacuum bleeding of trapped air.

The 1/2" NPT instrument port is located between the two arms and can be used as a fill port or to attach another instrument. It also serves as a convenient field or bench accessory, allowing the pressure sensor to be bled and filled on a bench, in the field, or when the pressure sensor is installed. Each of the three connection ports has a convenient attachment hole for securely attaching I.D. tags or instructions.

Bleed Valve

The Bleed Valve replaces the need for a quick disconnect and ball valve on a pressure sensor, increasing reliability and saving time and money. The Bleed Valve also maintains the position of the instrument if it is inadvertently bumped or vibrated. Due to its self-relieving pressure feature, the Bleed Valve virtually eliminates the risk of damaging instruments during installation. The trapped fluid pressure will automatically bleed back into the pressure sensor.

Constructed of Stainless Steel, the Bleed Valve is attached in between the instrument and the Goalpost Manifold. The inlet post of the Bleed Valve is 1/4" MNPT and the instrument port is 1/4" FNPT.

A union nut disconnects the instrument from the Bleed Valve body. Inside the Bleed Valve is a small valve that closes before the union nut is fully loosened. As a result, the instrument or gauge can be removed without shutting down the process or removing the pressure sensor from service. The pressure sensor can be refilled when the instrument attachment body is removed.

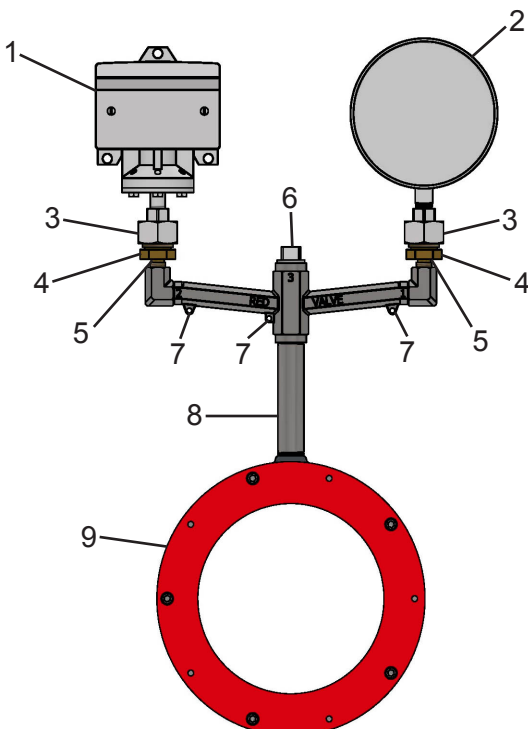
Red Valve offers a complete line of pressure sensors and accessories for accurate and dependable pressure measurement of fluids. For more information, visit RedValve.com.

Materials of Construction

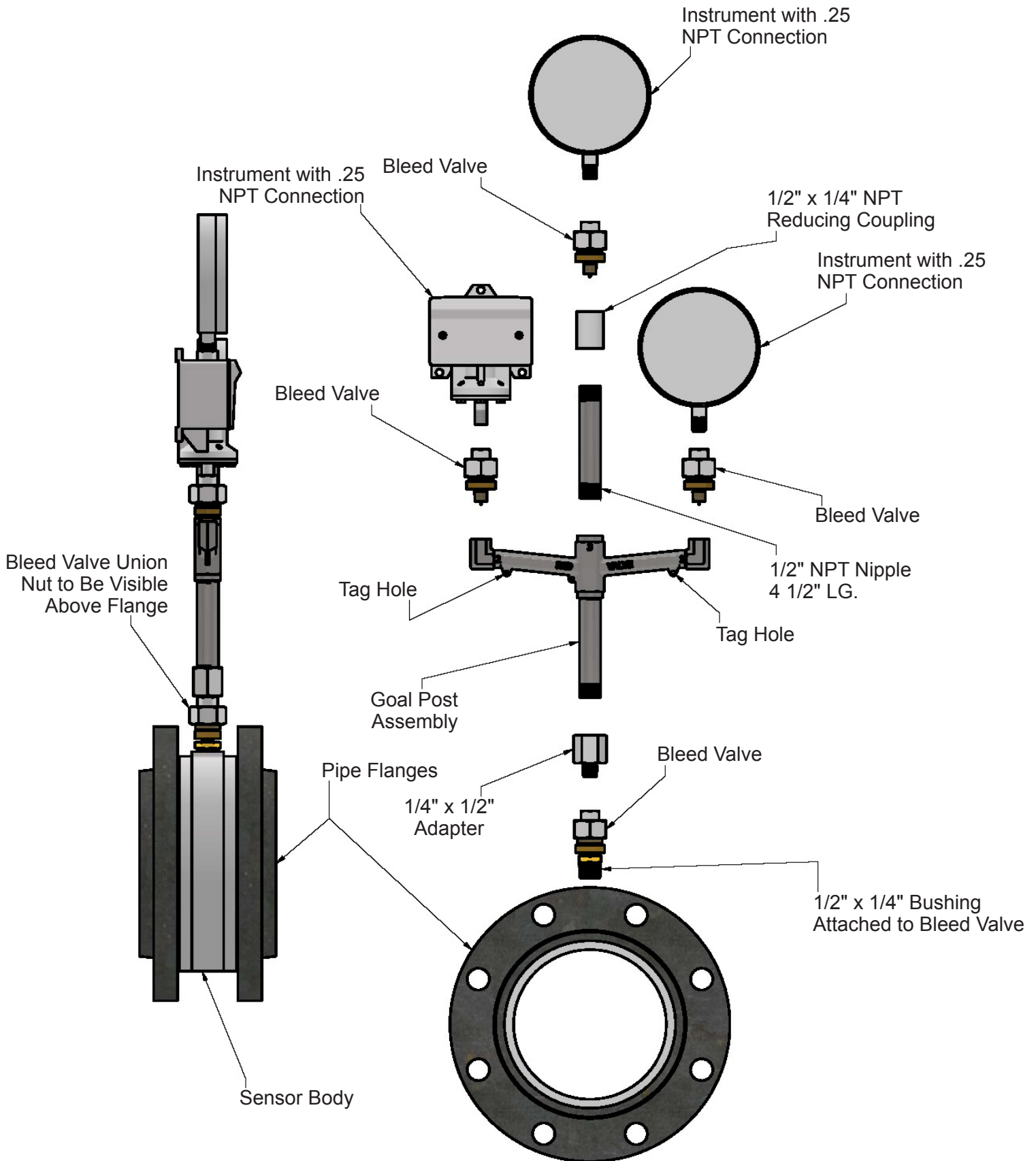
- **Goalpost Body:** Welded 316 Stainless Steel
- **Bleed Valve Body:** 316 Stainless Steel

Goalpost Manifold and Bleed Valve Parts

1. Pressure Transmitter (or other instrument)
2. Gauge (or other instrument)
3. Union Nut
4. Bleed Valve
5. 1/4" NPT Instrument Ports
6. Additional 1/2" NPT Instrument Port or Pipe Plug
7. Attachment (for tags, instructions, etc.)
8. Goalpost Manifold
9. Pressure Sensor



Goalpost Manifold and Bleed Valve



Goalpost Manifold and Bleed Valve

