

CIL - Tideflex® Series 37 In-Line Flanged Check Valve



- Installs between pipe flanges, eliminating valve body
- Minimal face-to-face dimension, only thickness of flange
- Virtually maintenance-free, one-piece elastomer design
- Eliminates chatter, silent, non-slamming

The Tideflex® Series 37 In-Line Flanged Check Valve is a simple, reliable and cost-effective solution to backflow problems. Designed to be installed between two mating flanges, the Series 37 eliminates the need for a valve body. There is only one moving part, making the elastomer check valve virtually maintenance-free. Sliding, rotating, swinging and spring parts are eliminated. There are no seats to corrode or packing to maintain. In addition, the Series 37 is a passive design, requiring no external source of air or electricity to operate, resulting in reduced operating costs.

The Series 37 In-Line Flanged Check Valve can be ordered in a variety of elastomers. Flanges conform to ASME B16.1 Class 125 specifications. Special custom designs or metric flanged models are also available. Specify line pressure and backpressure on order.

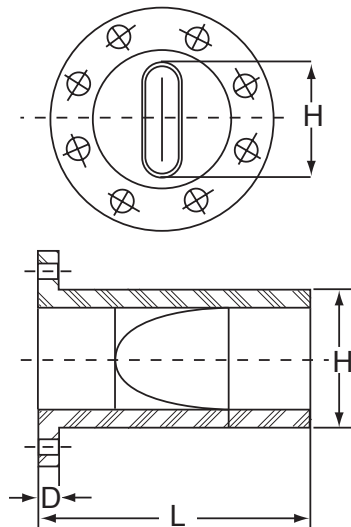
The pressure drop (head loss) of the Series 37 is higher than the Series TF-1, TF-2, 35, 35-1, 39 and 39F because the 37 has a reduced discharge cross-sectional area. The 37's bill is shaped like a wedge to allow it to be installed inside of a pipe. The pressure drop (head loss) is increased because the 37 creates greater flow restriction than the Series TF-1, TF-2, 35, 35-1, 39 and 39F.

Materials of Construction

- **Elastomers:** Natural Rubber (NR), Ethylene Propylene Diene Terpolymer (EPDM)*, Acrylonitrile-Butadiene (NBR), Fluoroelastomer (FKM), Chloroprene (CR), Chlorosulfonated Polyethylene (CSM), Chloro-Isobutylene-Isoprene (CIIR), NSF/ANSI/CAN 61 and NSF/ANSI/CAN 372 certified EPDM
- **Drilled Flanges:** ASME Class 125 Flanges, DIN PN6, PN10, PN16

Series 37

NOMINAL SIZE* Pipe I.D.	DIMENSIONS in/mm		
	MAXIMUM LENGTH L	BILL HEIGHT H	FLANGE THICKNESS D
1"	3.00	1.00	1.00
25mm	76	25	25
1.5"	4.00	2.00	1.00
40mm	102	51	25
2"	5.00	2.00	1.00
50mm	127	51	25
2.5"	5.00	3.00	1.00
65mm	127	76	25
3"	6.00	3.00	1.00
80mm	152	76	25
4"	8.00	4.00	1.00
100mm	203	102	25
5"	10.00	5.00	1.00
125mm	254	127	25
6"	11.00	6.00	1.00
150mm	279	152	25
8"	13.00	8.00	1.00
200mm	330	203	25
10"	16.00	10.00	1.00
250mm	406	254	25
12"	20.00	12.00	1.00
300mm	508	305	25
14"	22.00	13.00	1.00
350mm	559	330	25
16"	24.00	15.00	1.00
400mm	610	381	25
18"	24.00	17.00	1.00
450mm	610	432	25
20"	33.00	20.00	1.00
500mm	838	508	25
24"	38.00	23.00	1.00
600mm	965	584	25
30"	41.00	28.00	2.00
750mm	1041	711	51
36"	49.00	35.00	2.00
900mm	1245	889	51
42"	49.00	41.00	2.00
1050mm	1245	1041	51
48"	51.00	45.00	2.00
1200mm	1295	1143	51
54"	56.00	52.00	2.00
1350mm	1422	1321	51



NOMINAL SIZE* Pipe I.D.	DIMENSIONS in/mm		
	MAXIMUM LENGTH L	BILL HEIGHT H	FLANGE THICKNESS D
60"	64.00	58.00	2.00
1500mm	1626	1473	51
72"	73.00	75.00	2.00
1800mm	1854	1905	51
96"	96.00	94.00	3.00
2400mm	2438	2388	76