

CIL - Tideflex® Series 33 and Series 39 In-Line Check Valve



- All-elastomer check sleeve, virtually maintenance-free design
- No hinges or seals to bind
- Resists abrasion and prevents backflow
- Mounting in any orientation
- Closes on entrapped solids

The Tideflex® Series 33 and 39 In-Line Check Valves are designed to handle abrasive materials, sewage, sludge and other difficult slurries. The valves are silent and non-slamming when they operate.

At the heart of the Series 33 and 39 are fabric-reinforced elastomer check sleeves that provide through-flow at minimum pressure drop across the valve at all times. The Series 33 and 39 In-Line Check Valves come with a clean-out port and two flush ports. They also have a cast iron body, which is available with special coatings.

The valve's face-to-face dimensions meet ASME B16.10 specifications. Specify line pressure and backpressure on order.

Materials of Construction

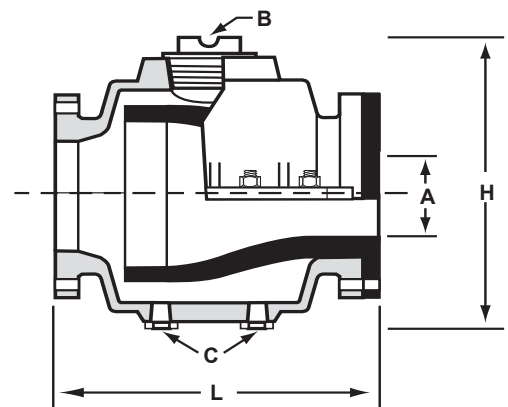
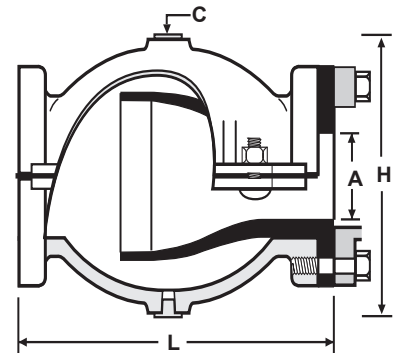
- **Body:** Cast iron ASTM A126
- **Sleeves:** Natural Rubber (NR), Ethylene Propylene Diene Terpolymer (EPDM)*, Acrylonitrile-Butadiene (NBR), Fluoroelastomer (FKM), Chloroprene (CR), Chlorosulfonated Polyethylene (CSM), Chloro-Isobutylene-Isoprene (CIIR), NSF/ANSI/CAN 61 and NSF/ANSI/CAN 372 certified EPDM
- **Drilled and tapped flanges:** ASME 125/150
- Epoxy coating or rubber-lined body available

Series 33

VALVE SIZE A	DIMENSIONS in/mm			MAXIMUM BACKPRESSURE psi/kPa
	MAXIMUM LENGTH L	MAXIMUM HEIGHT H	FLUSH CONNECTION C	
1" 25mm	4.50 114	4.25 108	0.50 13	150 1030
1.5" 40mm	6.50 165	5.00 127	0.50 13	150 1030
2" 50mm	8.50 216	6.50 165	0.50 13	150 1030
2.5" 65mm	9.50 241	7.00 178	0.50 13	150 1030
3" 80mm	11.25 286	8.00 203	0.50 13	100 690

Series 39

VALVE SIZE A	DIMENSIONS in/mm				MAXIMUM BACKPRESSURE psi/kPa*
	MAXIMUM LENGTH L	MAXIMUM HEIGHT H	CLEAN OUT PLUG DIAMETER B	FLUSH CONNECTIONS C	
4" 100mm	11.50 292	10.75 273	2.00 51	1.00 -1.00 25 - 25	75 520
6" 150mm	14.00 356	14.00 356	4.00 102	1.00 -1.00 25 - 25	75 520
8" 200mm	19.50 419	17.25 438	4.00 102	2.00 -1.00 51 - 25	60 410
10" 250mm	24.50 622	22.75 578	4.00 102	2.00 -1.00 51 - 25	45 310
12" 300mm	27.50 699	24.75 629	4.00 102	2.00 -1.00 51 - 25	35 240
14" 350mm	31.00 787	27.75 705	4.00 102	2.00 -1.00 51 - 25	25 170
16" 400mm	34.00 864	31.25 794	4.00 102	2.00 -1.00 51 - 25	20 140
18" 450mm	38.50 978	35.00 889	6.00 Flanged 152 Flanged	2.00 -1.00 51 - 25	15 100
20" 500mm	40.00 1016	42.75 1086	6.00 Flanged 152 Flanged	2.00 -1.00 51 - 25	10 70
24" 600mm	51.00 1295	45.50 1156	6.00 Flanged 152 Flanged	2.00 -1.00 51 - 25	10 70



* For higher backpressure, see Saddle Support Cut Sheet RV09.01-13.