

# Series 5200E Electrically Actuated

- ▶ Electric actuation provides precise, accurate control
- ▶ Sleeve is the only wetted part, so breakaway torques remain constant
- ▶ Bi-directional, drop-tight shutoff
- ▶ Enclosed rising stem design

The Series 5200E Electrically Actuated Control Valve is a reliable, maintenance-free, cost-effective valve, designed for tough slurry and abrasive applications. There are no seats to grind, no stuffing boxes to repack and no packing glands to adjust, ever. The rugged, self-cleaning, elastomer sleeve isolates all mechanical parts of the valve, so the breakaway torque remains constant.

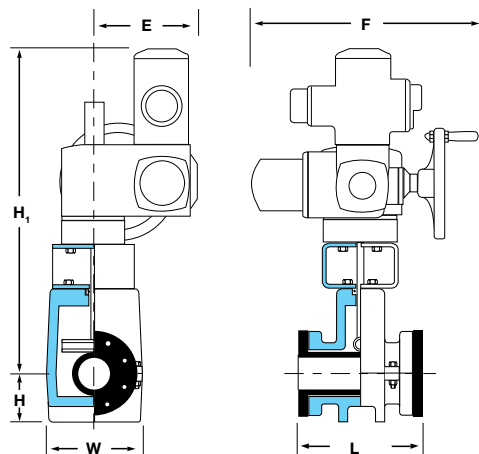
Red Valve Series 5200E Electrically Actuated Control Valves are actuated by AUMA, Limitorque or Rotork electric operators as a standard. Other electric motor operators are available upon request. Declutch and override components are furnished as standard. Controls can be furnished as an integral part of the electric operator or as a separate unit for a remote station. Standard features: heaters, thermostats and position indicators. Optional features: NEMA 7 explosion-proof construction, indication lights and proportioning control from a 4-20 mA instrument signal.

8



## Materials of Construction

- ▶ Ductile iron body
- ▶ AUMA, Limitorque or Rotork electric actuators
- ▶ Sleeves available in Pure Gum Rubber, Neoprene, Hypalon®, Chlorobutyl, Buna-N, EPDM and Viton®
- ▶ Drilled and tapped to mate with ANSI B16.5 Class 150 flanges



## Dimensions Series 5200E Electrically Actuated – Modulating Actuator

VALVE SIZE*	LENGTH L	WIDTH W	HEIGHT		ACTUATOR WIDTH E**	ACTUATOR LENGTH F**	WORKING PRESSURE psi	WEIGHT lbs
			H	H <sub>1</sub>				
1"	7-1/4"	6"	2-7/16"	28-1/8"	9-1/3"	19-1/2"	150	87
1-1/2"	8-3/4"	8"	2-3/4"	28-1/4"	9-1/3"	19-1/2"	150	131
2"	10"	8"	3-1/2"	28-3/8"	9-1/3"	20-3/8"	150	164
2-1/2"	10-7/8"	9"	4"	29-5/8"	9-3/4"	21-1/8"	150	207
3"	11-3/4"	11-1/2"	4-1/4"	30-13/16"	9-3/4"	21-1/8"	150	240
4"	13-7/8"	13-1/2"	6-5/8"	34-1/8"	11-1/4"	27-3/4"	150	356
6"	17-3/4"	16-7/8"	7-5/8"	35-1/8"	11-1/4"	28"	150	443
8"	21-3/8"	19-7/8"	9-1/8"	37-7/8"	12-1/8"	33-7/8"	125	675
10"	26-1/2"	23-1/2"	11"	39-13/16"	12-1/8"	33-7/8"	100	810
12"	29"	27-1/2"	11-13/16"	40-5/8"	12-1/8"	33-7/8"	100	999
14"	28"	31"	14"	42-13/16"	12-1/8"	33-7/8"	75	1,490
16"	32"	34"	15"	43-13/16"	12-1/8"	33-7/8"	50	1,890
18"	36"	44"	16-1/2"	46-1/4"	14-7/16"	36-7/16"	50	2,630
20"	40"	40"	17"	46-13/16"	14-7/16"	36-7/16"	50	3,180
24"	48"	57"	20-1/2"	74-1/4"	15-13/16"	41"	50	3,845
30"	60"	78"	20-1/2"	57"	19-1/8"	51"	50	6,930

\*Sizes over 4" are D-Port design.

\*\*Dimensions are based on AUMA and are for reference only. Contact factory for exact dimensions.

For larger sizes up to 72", consult factory.

## Standard features of Red Valve Series 5200E Electrically Actuated Control Valve Actuators

### Series 5200E Modulating Electric Actuator

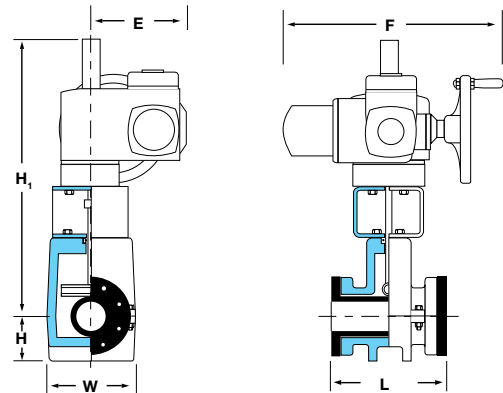
Bronze Operating Nut  
 NEMA 4 Enclosure  
 Class F Insulation  
 2 Gear Train Limit Switches  
 2 Torque Switches  
 Manual Handwheel Override  
 AUMA Matic C  
 Reversing Starters  
 Transformer  
 Three Push-Button Control Switches (O/S/C)  
 Selector Switch (L/O/R)  
 AUMATROL 601 Positioner  
 4-20 mA DC Input  
 Mechanical Dial Position Indicator (MDPI)

### Series 5200E On/Off Electric Actuator

Bronze Operating Nut  
 NEMA 4 Enclosure  
 Class F Insulation  
 2 Gear Train Limit Switches  
 2 Torque Switches  
 Manual Handwheel Override  
 Basic Compact  
 Reversing Starters  
 Transformer  
 Three Push-Button Control Switches (O/S/C)  
 Selector Switch (L/O/R)  
 Mechanical Dial Position Indicator (MDPI)

### Optional Extras

Precision Potentiometer  
 Electronic Position Transmitter Type RWG  
 Inductive Position Transmitter Type IWG (LVDT)



## Dimensions Series 5200E Electrically Actuated – On/Off Actuator

VALVE SIZE*	LENGTH L	WIDTH W	HEIGHT		ACTUATOR WIDTH E	ACTUATOR LENGTH F	WORKING PRESSURE psi	VALVE WEIGHT lbs
			H	H <sub>1</sub>				
1"	7-1/4"	6"	2-7/16"	21-13/16"	9-1/3"	19-1/2"	150	87
1-1/2"	8-3/4"	8"	2-3/4"	21-3/4"	9-1/3"	19-1/2"	150	131
2"	10"	8"	3-1/2"	22-1/2"	9-1/3"	20-3/8"	150	164
2-1/2"	10-7/8"	9"	4"	23-1/4"	9-3/4"	21-1/8"	150	207
3"	11-3/4"	11-1/2"	4-1/4"	24-1/2"	9-3/4"	21-1/8"	150	240
4"	13-7/8"	13-1/2"	6-5/8"	26-5/8"	11-1/4"	27-3/4"	150	356
6"	17-3/4"	16-7/8"	7-5/8"	28-1/2"	11-1/4"	28"	150	443
8"	21-3/8"	19-7/8"	9-1/8"	33-1/4"	12-1/8"	33-7/8"	125	675
10"	26-1/2"	23-1/2"	11"	35-1/4"	12-1/8"	33-7/8"	100	810
12"	29"	27-1/2"	11-13/16"	35-13/16"	12-1/8"	33-7/8"	100	999
14"	28"	31"	14"	38-1/4"	12-1/8"	33-7/8"	75	1,490
16"	32"	34"	15"	39-1/4"	12-1/8"	33-7/8"	50	1,890
18"	36"	44"	16-1/2"	46-1/4"	14-7/16"	36-7/16"	50	2,630
20"	40"	40"	17"	46-13/16"	14-7/16"	36-7/16"	50	3,180
24"	48"	57"	20-1/2"	74-1/4"	15-13/16"	41"	50	3,845
30"	60"	78"	19-3/8"	57-1/2"	22-7/16"	62-3/8"	50	6,930

\*Sizes over 4" are D-Port design.

For larger sizes up to 72", consult factory.